



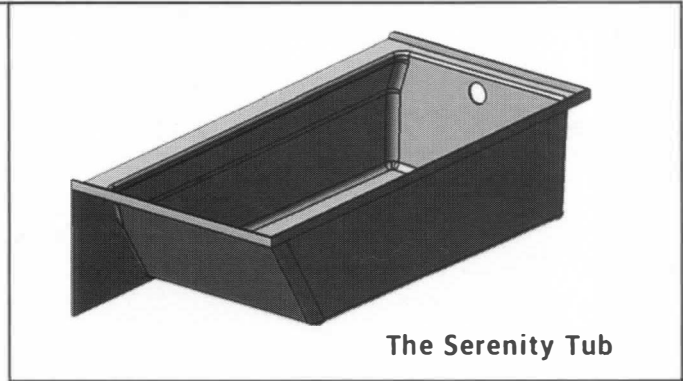
WHY WASTE THE SPACE?

Installation Instructions

BRAK TUB

HIGH GLOSS ACRYLIC SURFACE
SHOWN LESS ALL FITTINGS

MODEL: BKTB-100-LH & BKTB-100-RH



The Serenity Tub

Thank you for selecting the Serenity Tub. To ensure that your installation proceeds smoothly - please read these instructions carefully before you begin.

BEFORE YOU BEGIN...

Local building codes vary by location. Observe all local plumbing and building codes.

Your new bath is shipped to you after careful inspection. All you need to finish the installation are your selected fittings.

To ensure maximum performance and pleasure from this product, please follow the instructions and cautions.

DIRECTIONS FOR INSTALLING BRAK TUB (Model# BKTB-100-LH & BKTB-100-RH)

The tub is self-supporting and must be installed on a smooth level subfloor. The floor should be supported in BOTH DIRECTIONS, and on each board, back, middle and front.

Structo-Lite is recommended when the floor is uneven or older, in the case of most remodeling jobs

DIRECTIONS.

3. TAKE EXTRA CARE WHEN DRIVING NAILS OR SCREWS TO AVOID DAMAGING THE BATH.

TOOLS & MATERIALS REQUIRED....

TOOLS:

- Level
- Square
- Tape Measure
- Pipe Wrench
- Slip Joint Pliers
- Screw Driver
- Standard Woodworking Tools
- Personal Safety Equipment
- Caulking Gun

MATERIALS:

- Nails
 - Plumber's Putty
 - Silicone Sealant
 - Drop Cloth
- Structo-lite**

NOTE: Take extra care in handling surfaces of the bath. Use only non-abrasive cloths to avoid scratching.

HOTLINE FOR HELP

FOR TOLL FREE INFORMATION AND ANSWERS TO YOUR QUESTIONS, CALL:

**BRAK TUB 1019 FT.SALONGA ROAD, SUITE 10
NORTHPORT, NY 11768 855-321-BRAK**

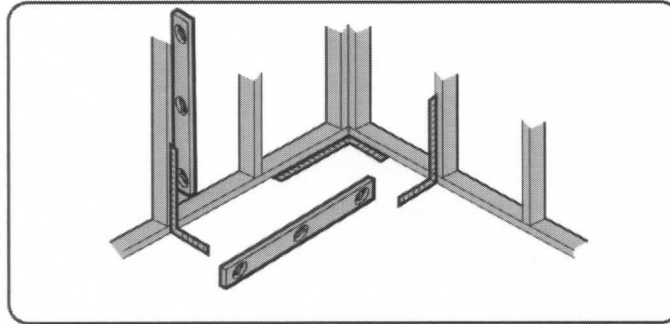
1

INSTALLATION AND FRAMING INSTRUCTIONS:

A.) Locate studs as required. Ensure roughing-in dimensions are proper, plumb, and square. It is strongly recommended that an additional opening be provided for access to the drain components.

ILLUSTRATION 1

Each alcove stud must be plumb and square.



Install drain components to the bath following the manufacturer's instructions. See the roughing-in drawing for suggested opening size and location dimensions.

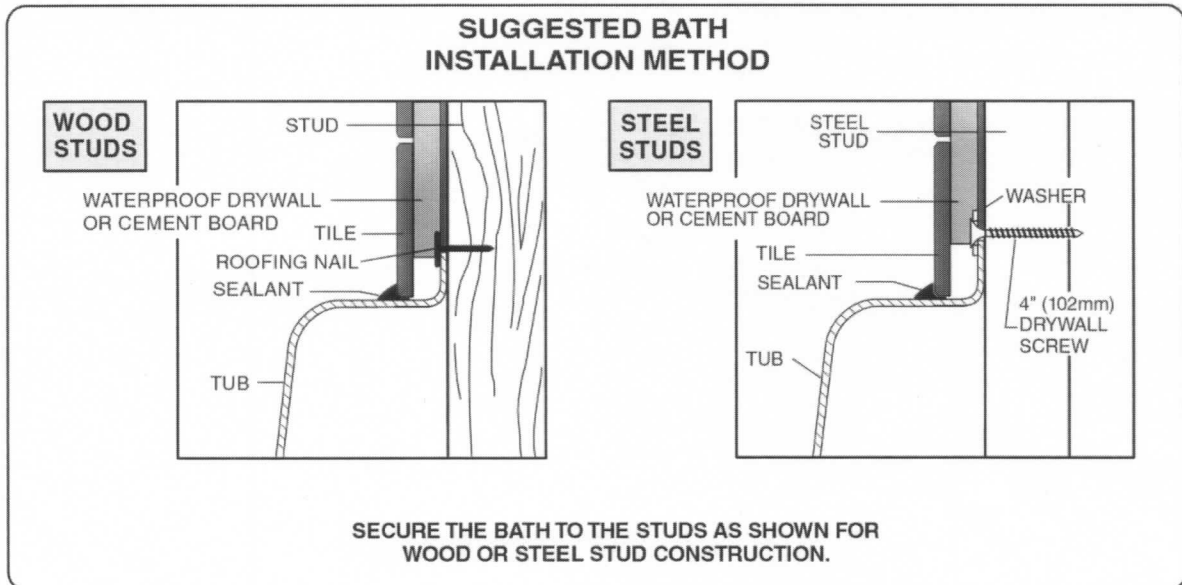
2

A.) The subfloor beneath the tub must be level in both directions, shim the entire floor under the tub before installing the tub. (The rim of the bath MUST NOT support weight.)

TYPICAL RECESS INSTALLATION

B.) Check level front to back and side to side, shim as necessary. To secure the tub to wood studs, use drywall screws with flatwashers or roofing nails immediately above the flange of the bath. To secure the tub to steel studs, use 4" drywall screws and flatwashers.

TYPICAL FLANGE MOUNTING DETAIL



C.) Any finish material such as tile or wallboard must be self-supporting if it contacts the deck of the bath. Flooring will be butted against the bottom of the tub apron, also holding the tub in place.

3

DRAIN CONNECTION

Using recommended drain opening, connect bath drain to waste line. Tighten all drain joints securely.



Brak Tubs Limited Lifetime Warranty

Brak Tubs, Inc. ("Brak Tubs ") warrants to the original consumer/purchaser that all bathing tubs sold under the 'Brak Tubs' name comes with a lifetime limited warranty. The company reserves the right, at its sole discretion, to repair or replace this bathing pool – Brak Tubs if it is found to be defective under normal residential use and maintenance as long as it is owned by the original purchaser. Please note: portions of the Brak Tubs are handcrafted.

Under no circumstances shall Brak Tub be liable for costs incurred in the repair or replacement of installation materials including but not limited to tile, marble, etc. This limited lifetime warranty is not applicable on Commercial Installations.

The Brak Tubs warranty for Commercial Installations is set at one (1) year. This limited warranty DOES NOT COVER the following:

1. Any defect or damage arising from shipping, installation, alterations, accidents, misuse, lack of proper maintenance and cleaning as directed in the Installation Instruction Manual.
2. Use of other than genuine Brak Tubs replacement parts, in all cases whether caused by a plumbing contractor, service company, the owner or any other person.
3. Damage resulting from normal wear and tear and the expenditure on routine maintenance.
4. Commercial application.
5. Brak Tub bathing tubs and accessories that have been previously repaired or replaced under this warranty.
6. Options and accessories. Brak Tub's limited warranty on accessories is for parts only and is valid for one year. It excludes labor charges. This one year limited warranty covers accessories manufactured by Brak Tubs (e.g. aprons, drains, grab bars, heaters, and trim kits) against flaws in raw material or workmanship. Warranty coverage is applicable from the actual date of purchase of accessory by the original owner.
7. Shipping charges incurred on replacement of products under the limited warranty and labor or any other cost incurred during product disposal or installation under this limited warranty.
8. Liability for consequential or incidental damages, all of which are hereby expressly disclaimed, or the extension beyond the time period of this limited warranty or any implied warranties, including those of merchantability or fitness for a particular purpose. (Some jurisdictions do not allow limitations on the validity of an implied warranty, or the exclusion or limitation of incidental or consequential damages, so these limitations and exclusions may not apply to you.)
9. Responsibility for adherence to local code requirements. (Since local code requirements differ greatly, distributors, retailers, dealers, installation contractors and users of plumbing products should ascertain whether there are any code restrictions on the installation or use of a specific product.)

This limited warranty gives you specific legal rights. You may have other statutory rights that vary by state, province or jurisdiction, in which case this warranty does not affect such statutory rights.

To avail service under this warranty, it is recommended that a claim be made through the contractor or dealer from or through whom the product was purchased, or that a service request (including a description of the product model and of the defect) be sent to the following address:

**BRAK TUB
1019 FT.SALONGA ROAD, SUITE 10
NORTHPORT, NY 11768
Attention: Warranty Department**

**Warranty information may also be obtained
by calling the following toll free number:
855-321-BRAK
www.braktub.com**