

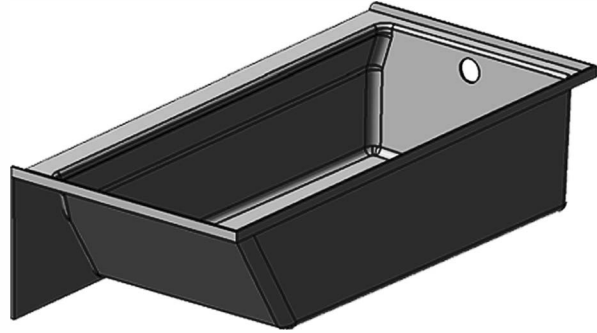
## Features

- Integral apron
- Left or right drain
- 60" (1524 mm) x 30" (762 mm) x 17" (431.8 mm)

# BKTB-100

## Codes/Standards Applicable

- IAPMO/ANSI Z124.1.2-2005.
- CSA B45.5-11/IAPMO Z124-2011/ASME A112.19.1
- Uniform Plumbing Code (UPC®)
- National Plumbing Code of Canada



## Colors/Finishes

- White (W)
- Biscuit (B)

## Specified Model

Model	Description	Colors/Finishes	
BKTB-100-LH	Brak Tub – Left Hand Model	White, Biscuit	<input type="checkbox"/> Other _____
BKTB-100-RH	Brak Tub – Right Hand Model	White, Biscuit	<input type="checkbox"/> Other _____
Recommended Accessories			
		<input type="checkbox"/> CP	<input type="checkbox"/> Other _____
		<input type="checkbox"/> CP	<input type="checkbox"/> Other _____
		<input type="checkbox"/> CP	<input type="checkbox"/> Other _____

## Technical Information

Fixture*:	
Bathing well:	
Basin area, bottom	46.75" (1187.45mm) x 26.16" (664.46mm)
Basin area, top	55.49" (1409.47mm) x 25.43" (645.92mm)
Weight	99 lbs
To overflow:	
Water depth	14.40" (365.76mm)
Capacity	59.03 gallons (223 L)
* Approximate measurements for comparison only.	

## Installation Notes

Refer to install installation instructions included with fixture before beginning installation.

Floor support under the bath must provide for a minimum of 49 lbs/square foot (239 kg/square meter) loading.

